



Standard Harness

Item # BC1063

This harness now utilizes "Mil-Spec" polypropylene webbing for strength and comfort. It also features tubular sleeves wherever the harness would normally be in contact with a metal backplate to minimize wear.

Packaging contains:

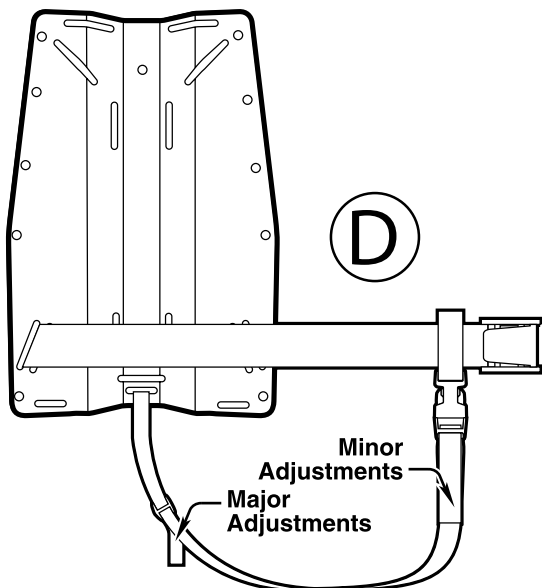
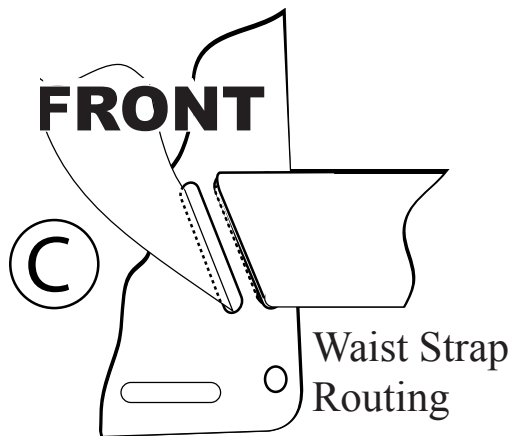
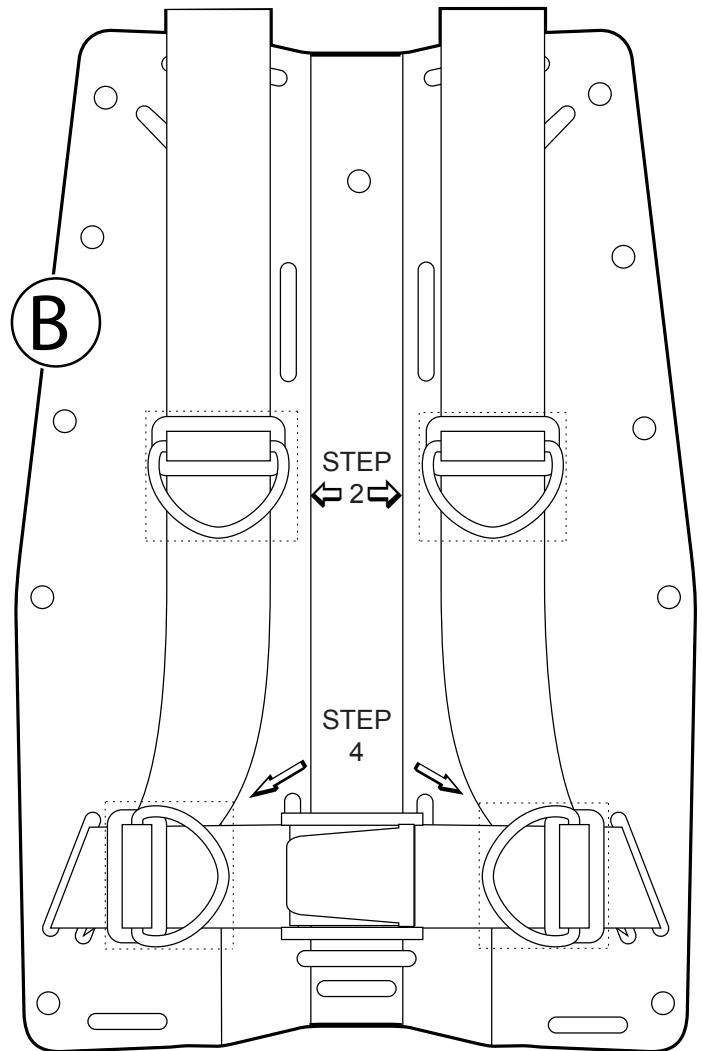
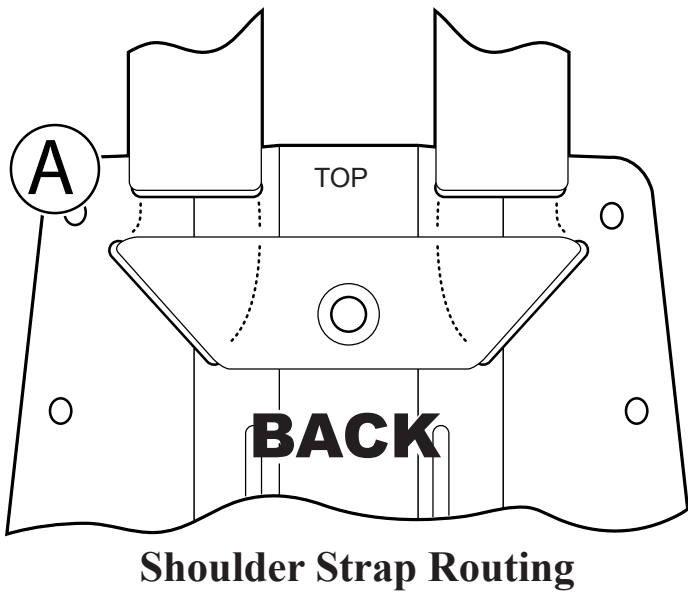
- 1) Harness webbing
(11ft section of 2" webbing
with stainless steel grommet)
- 4) Stainless steel Belt Slide
- 2) Stainless steel "D"-ring
- 2) Bent Stainless steel "D"-ring
- 1) Stainless steel waist strap
release buckle

The Dive Rite Standard Harness fits on all Dive Rite back plates. Great for technical diving where simplicity is the key.

****Crotch Strap not included****

© 2002, Lamartek, Inc. dba Dive Rite
175 NW Washington Street
Lake City, FL 32055€ USA
www.diverite.com

Threading Standard Harness



1) Begin by threading the harness webbing through the upper shoulder strap slots, as shown in figure A, positioning webbing so that the grommet is centered over the upper tank bolt hole.

2) Install one 2" belt slide and one bent 2" D-ring on each side of the webbing as shown in figure B.

3) Then thread one tail of the webbing through the waist slot (back through the inner slot then forward through the outer slot). Repeat this step for the opposite tail (refer to Figure C).

4) Again, install one 2" belt slide and one 2" D-ring on each side of the webbing.

5) Locate and install crotch strap. Refer to Figure D.

6) Using same side as the crotch strap loop, install waist strap release buckle using slots on buckle.